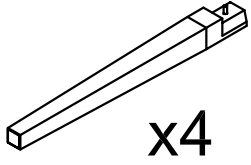
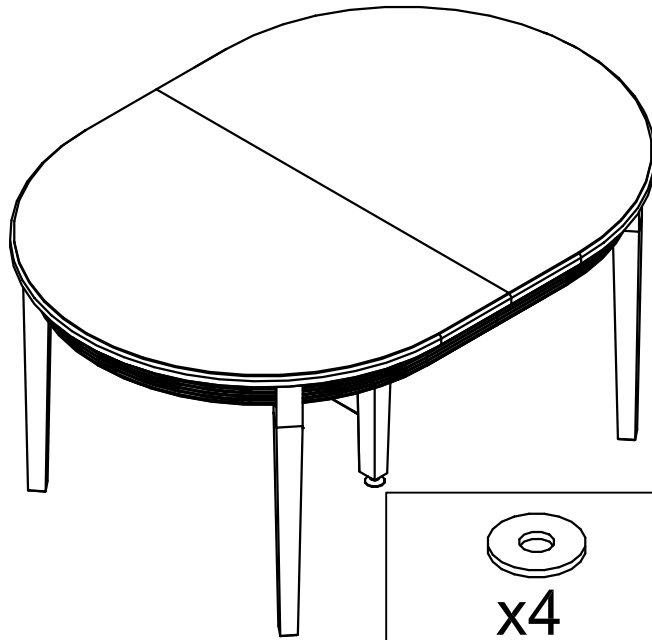
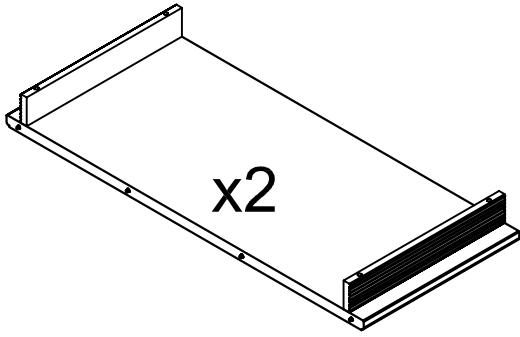


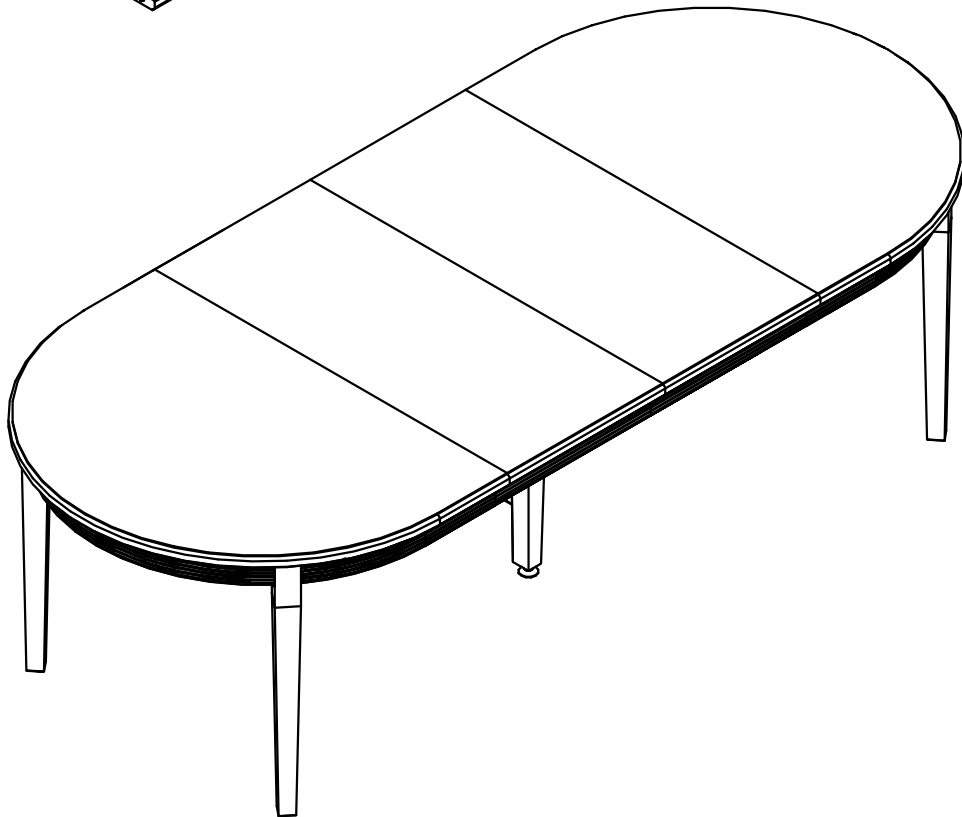
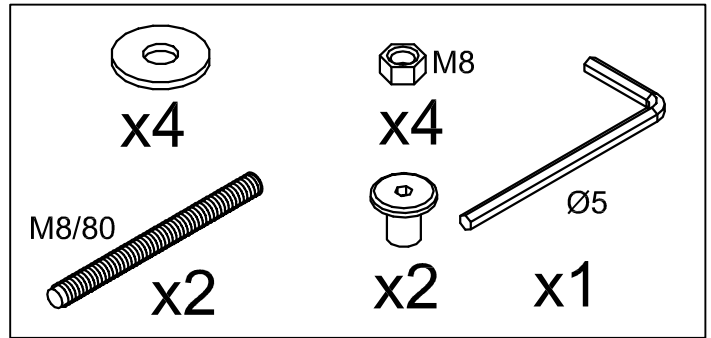
484



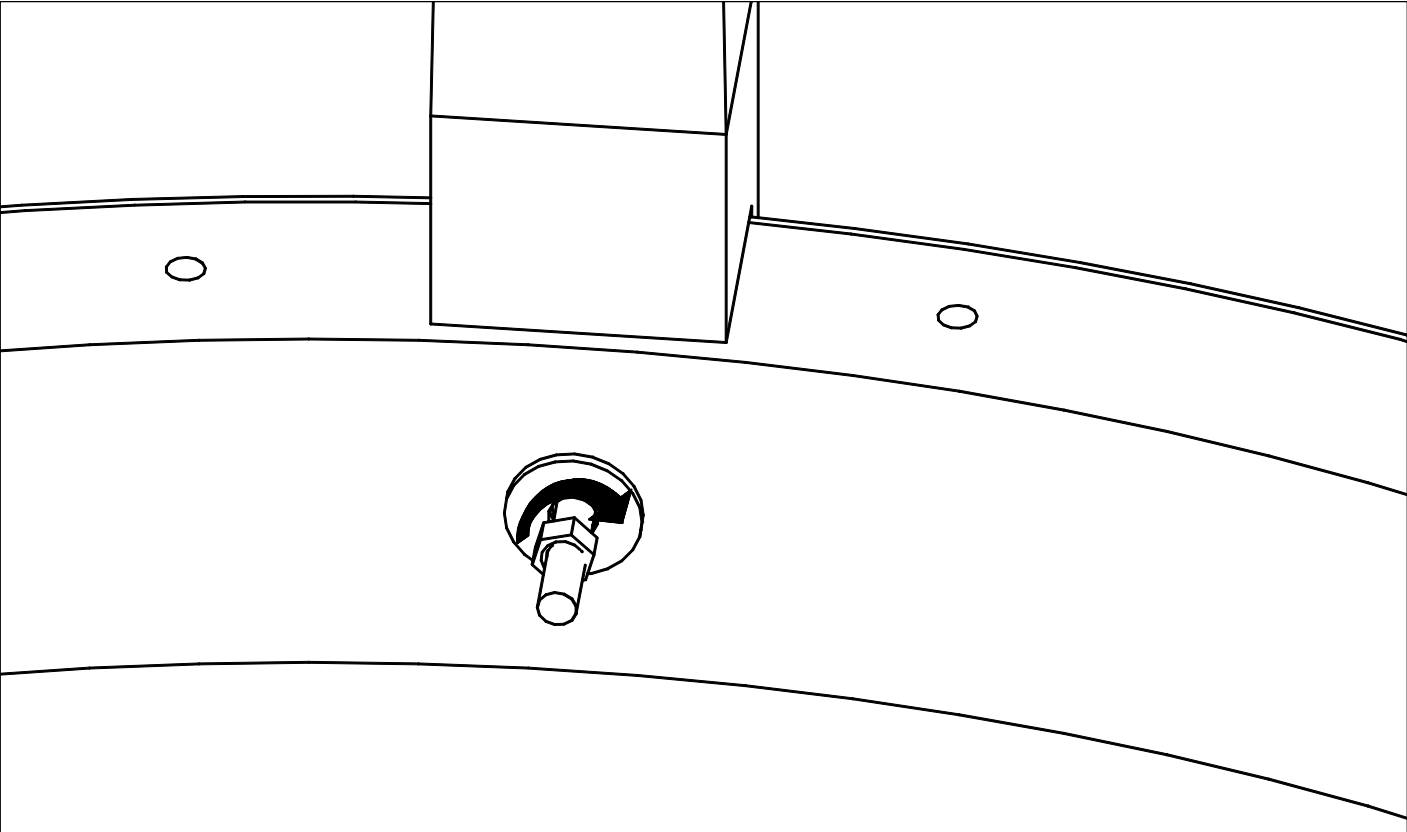
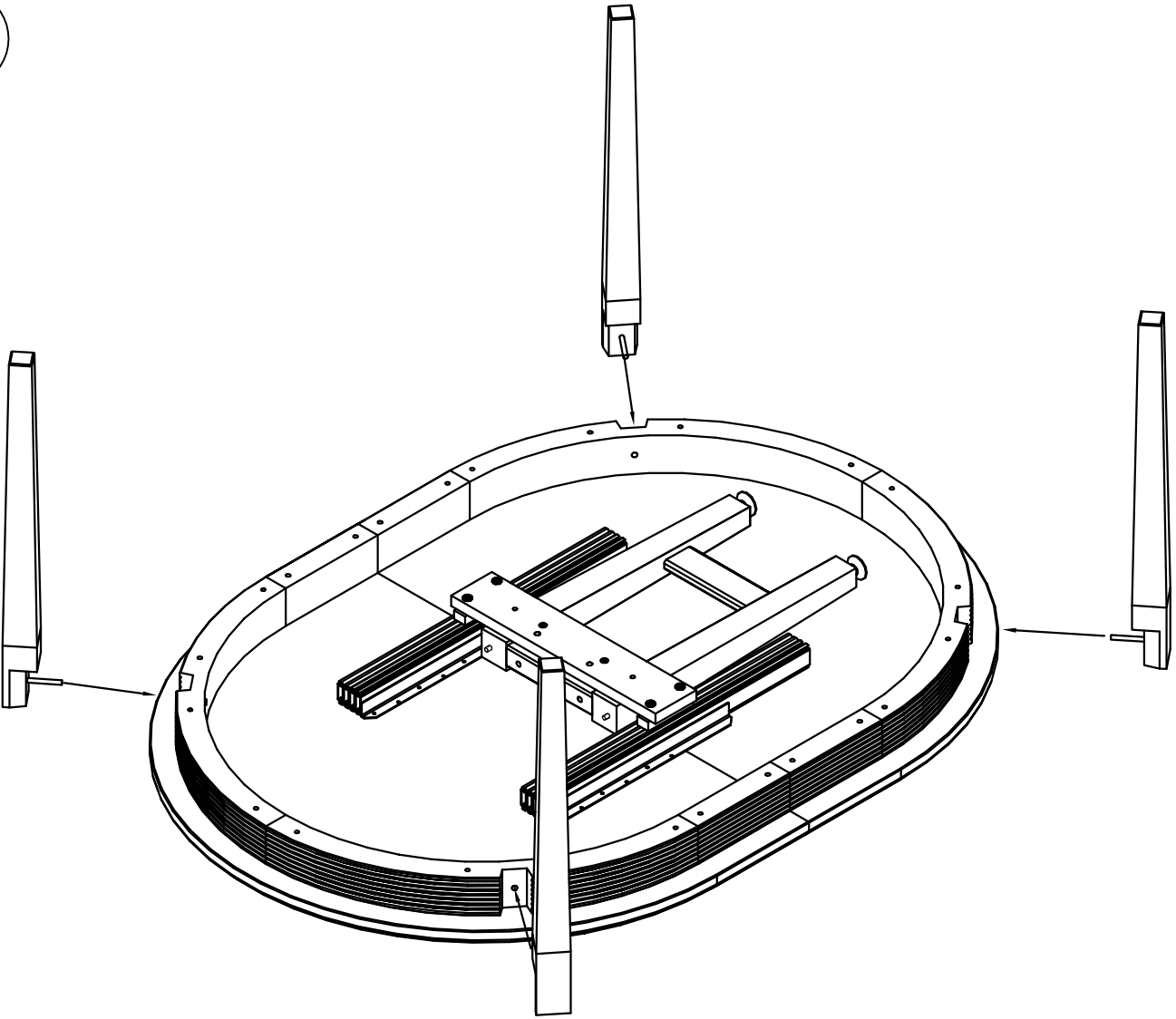
x4



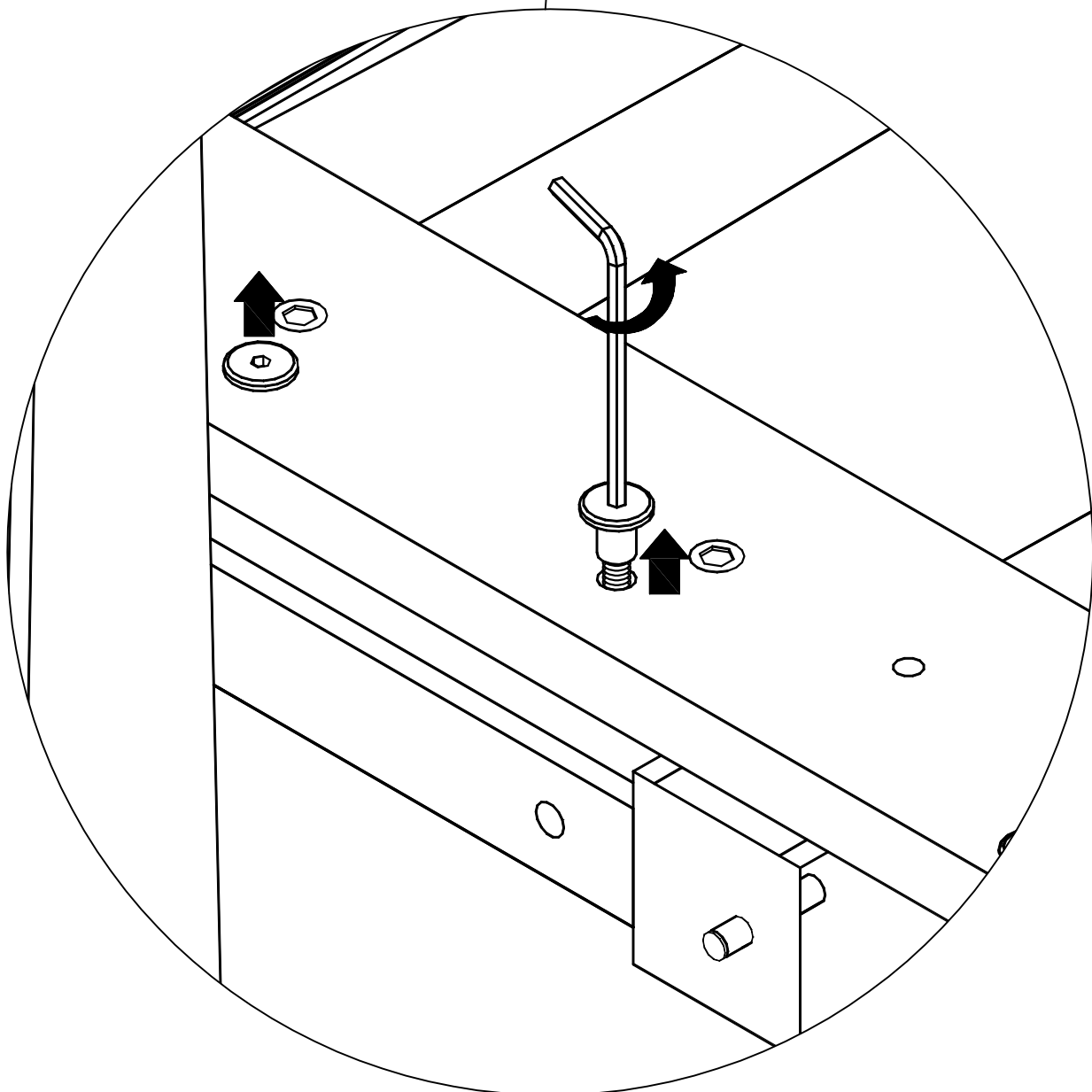
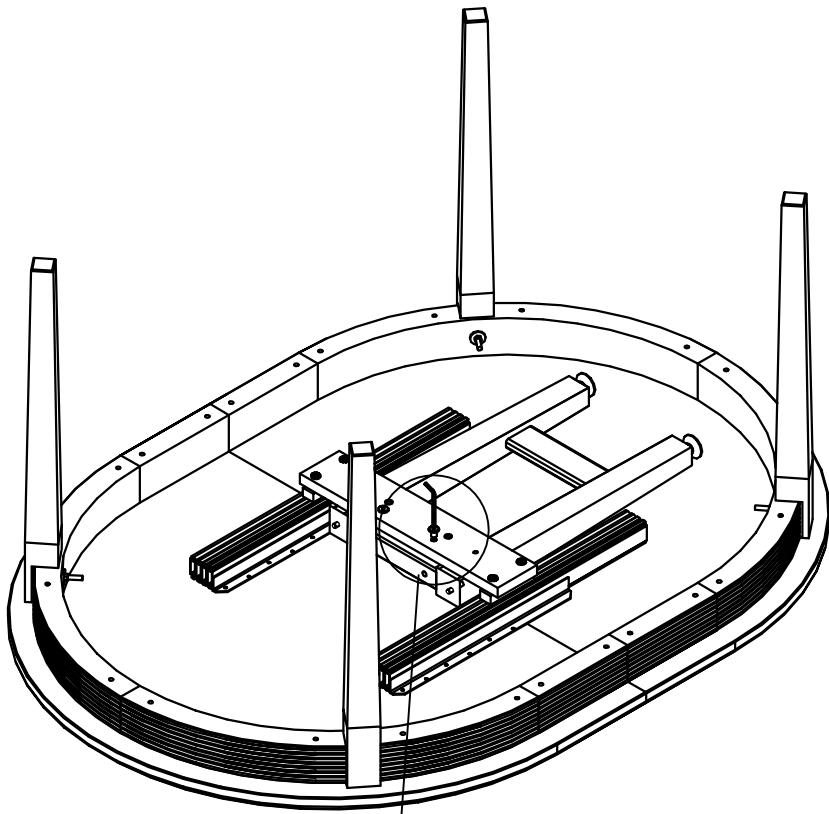
x2

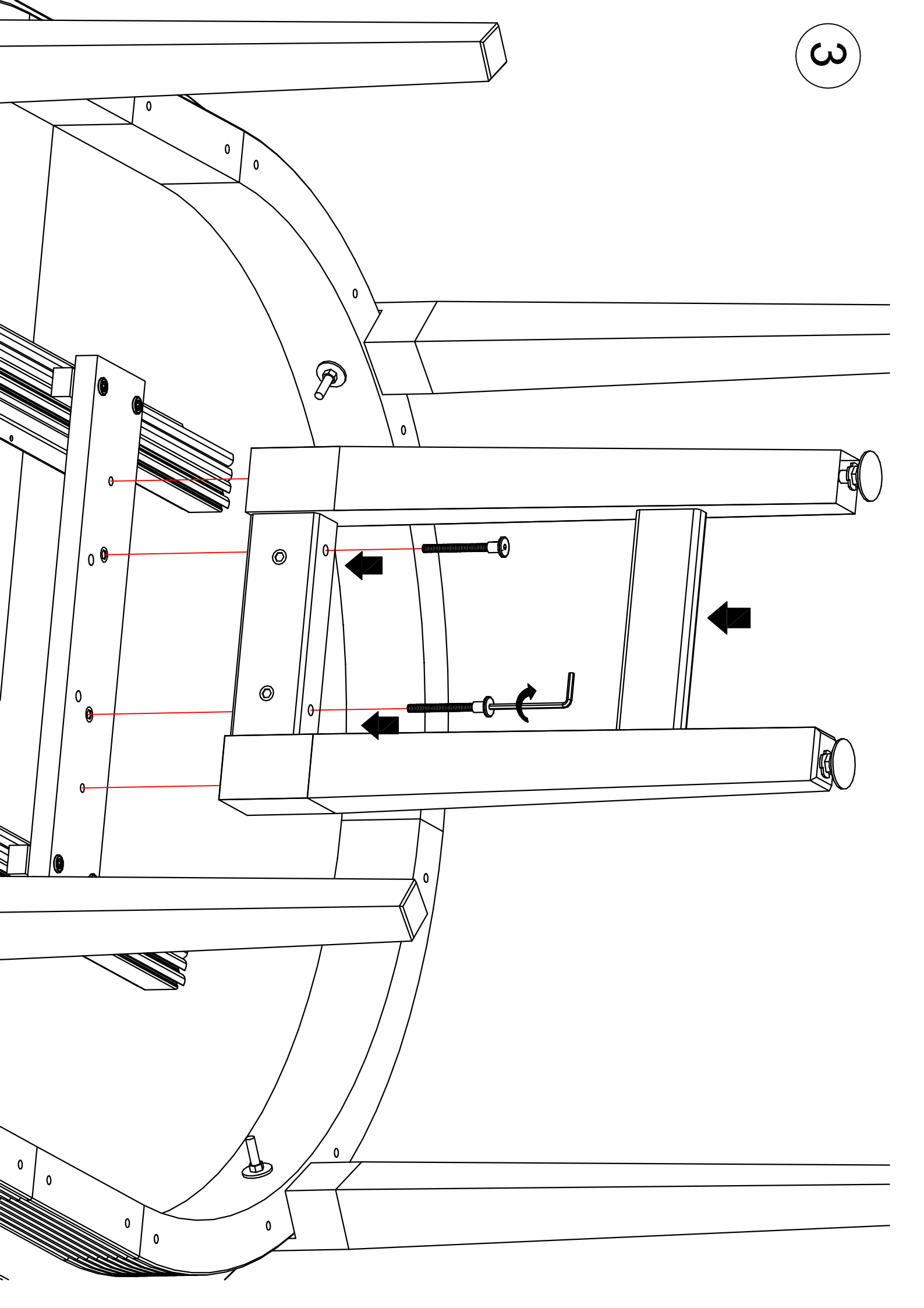


1



2





4

