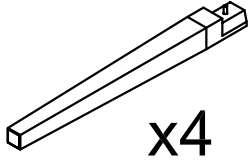
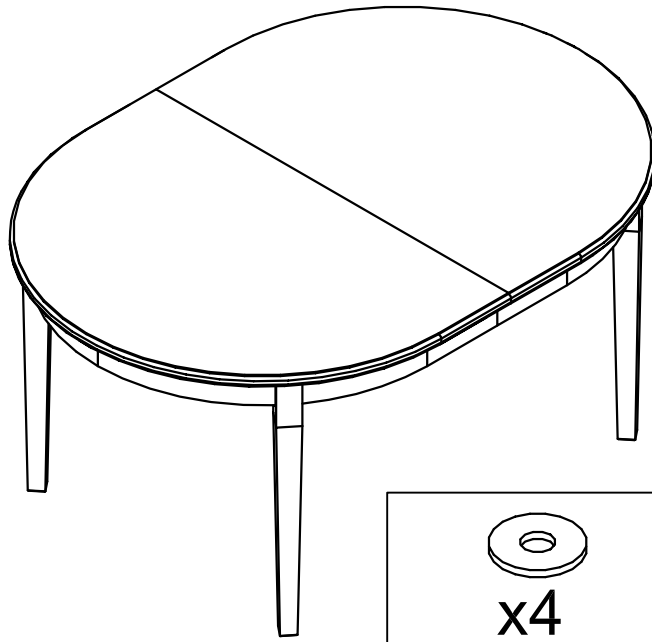
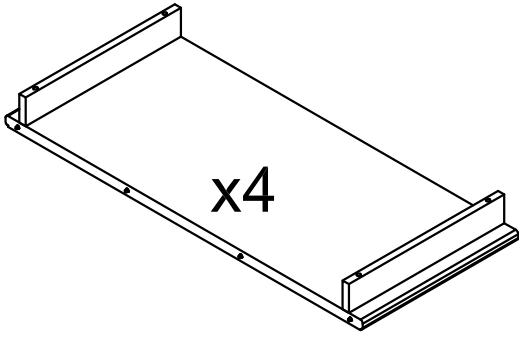


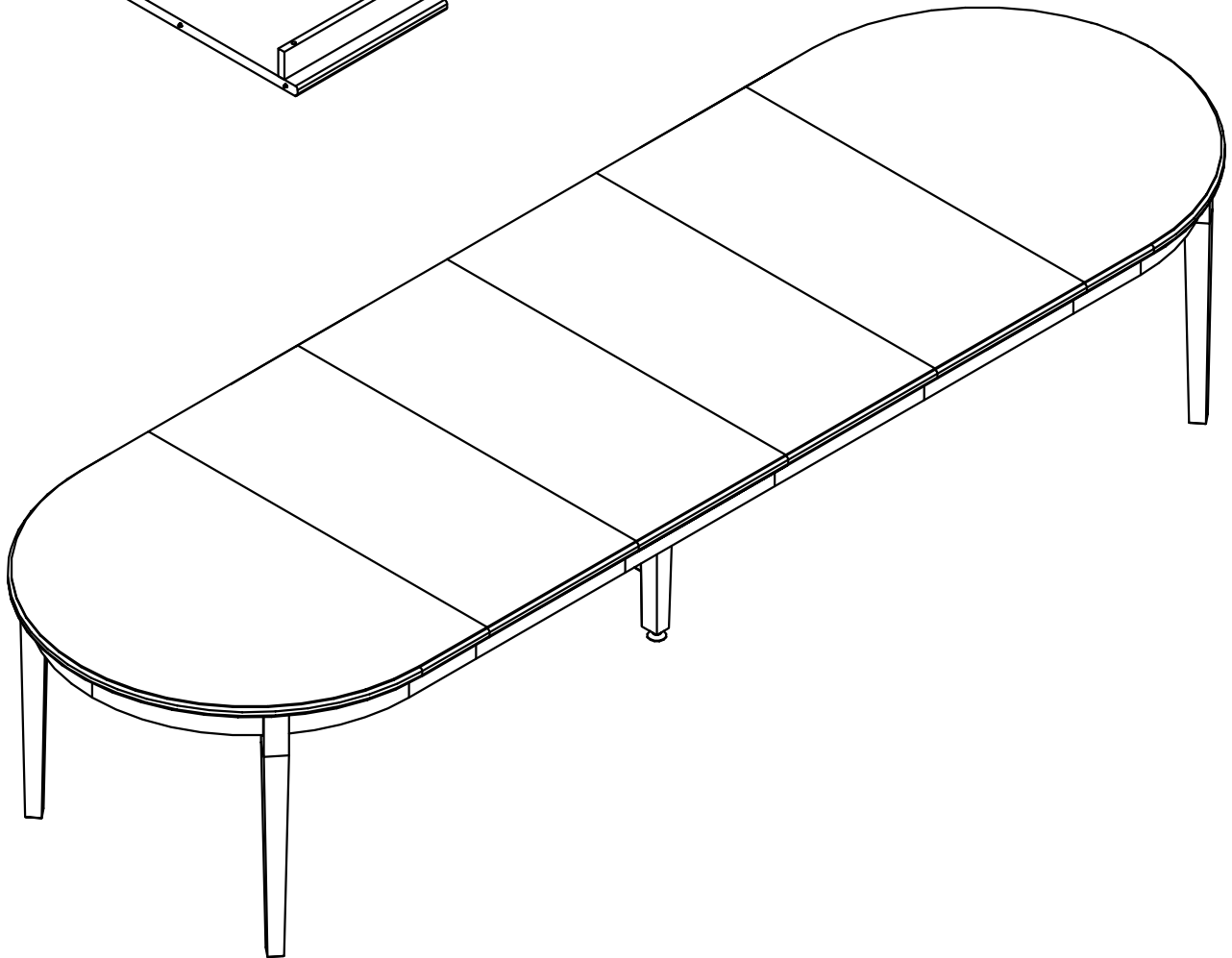
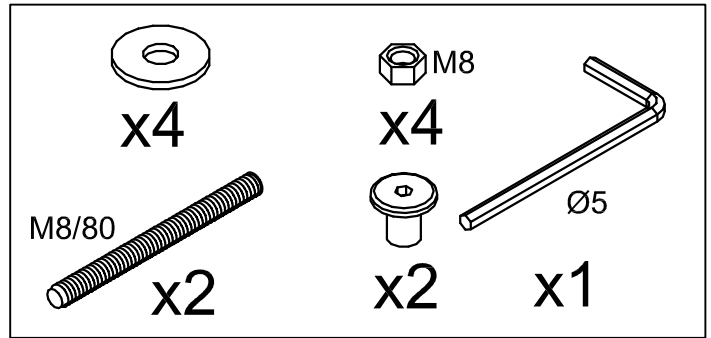
684 XL



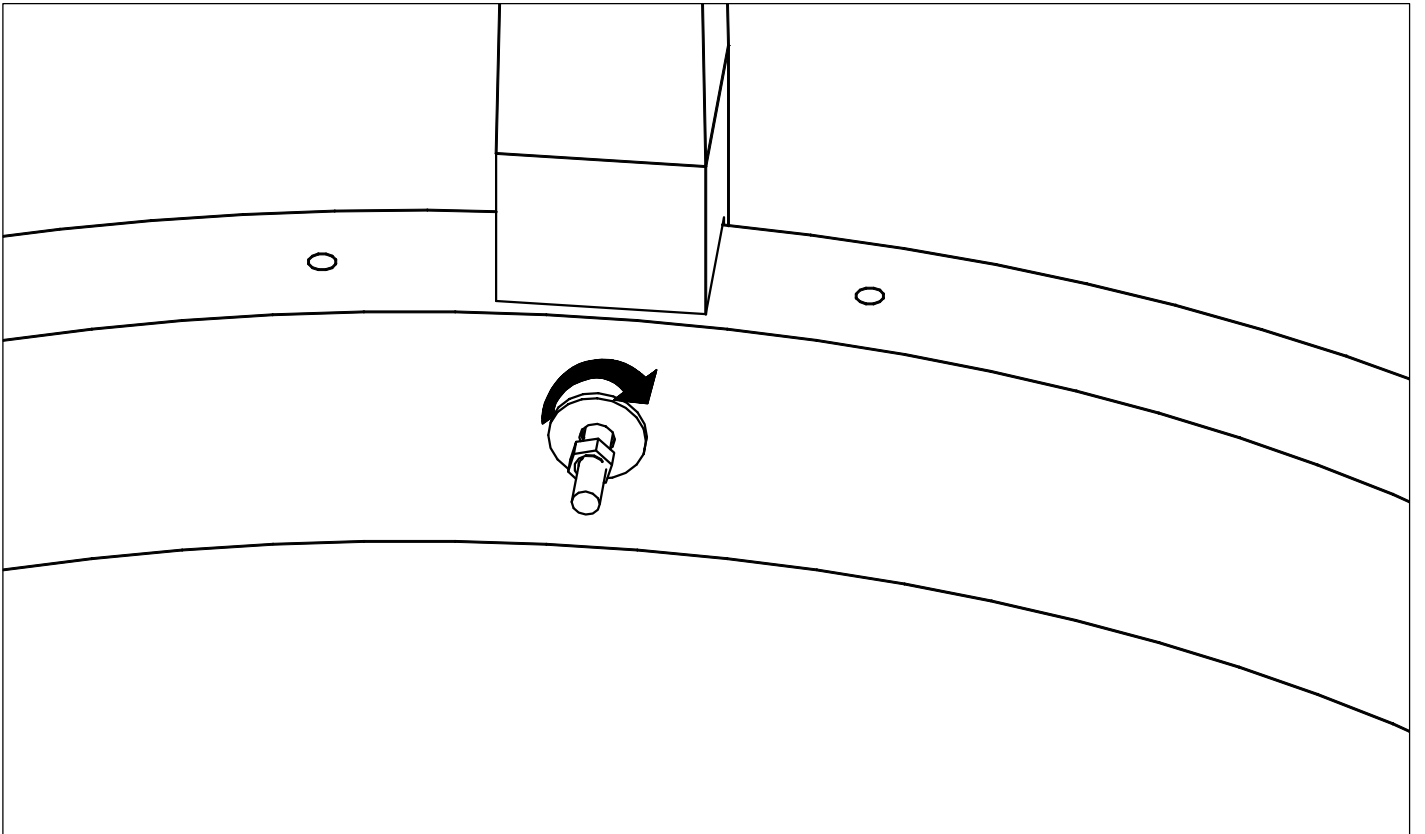
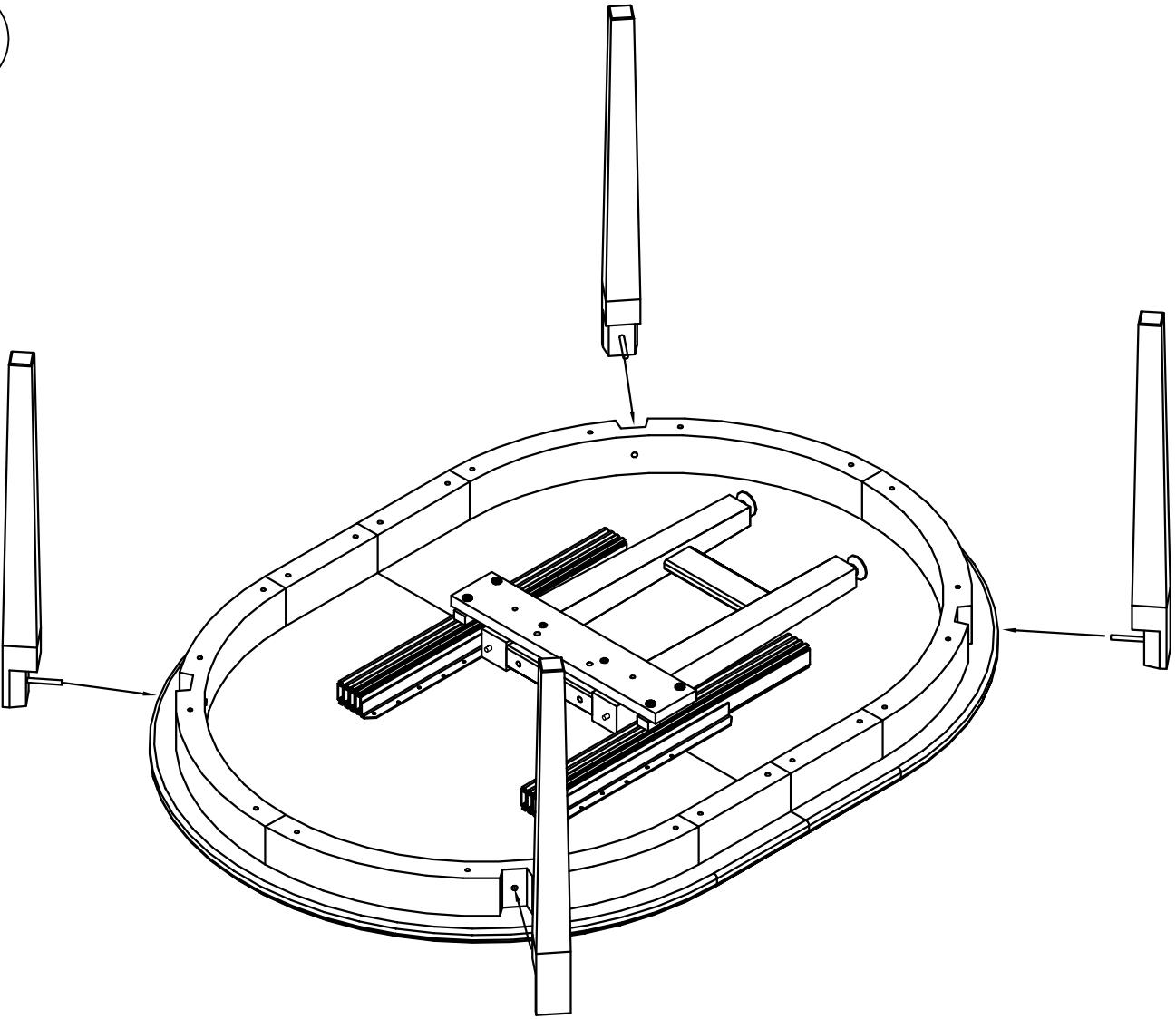
x4



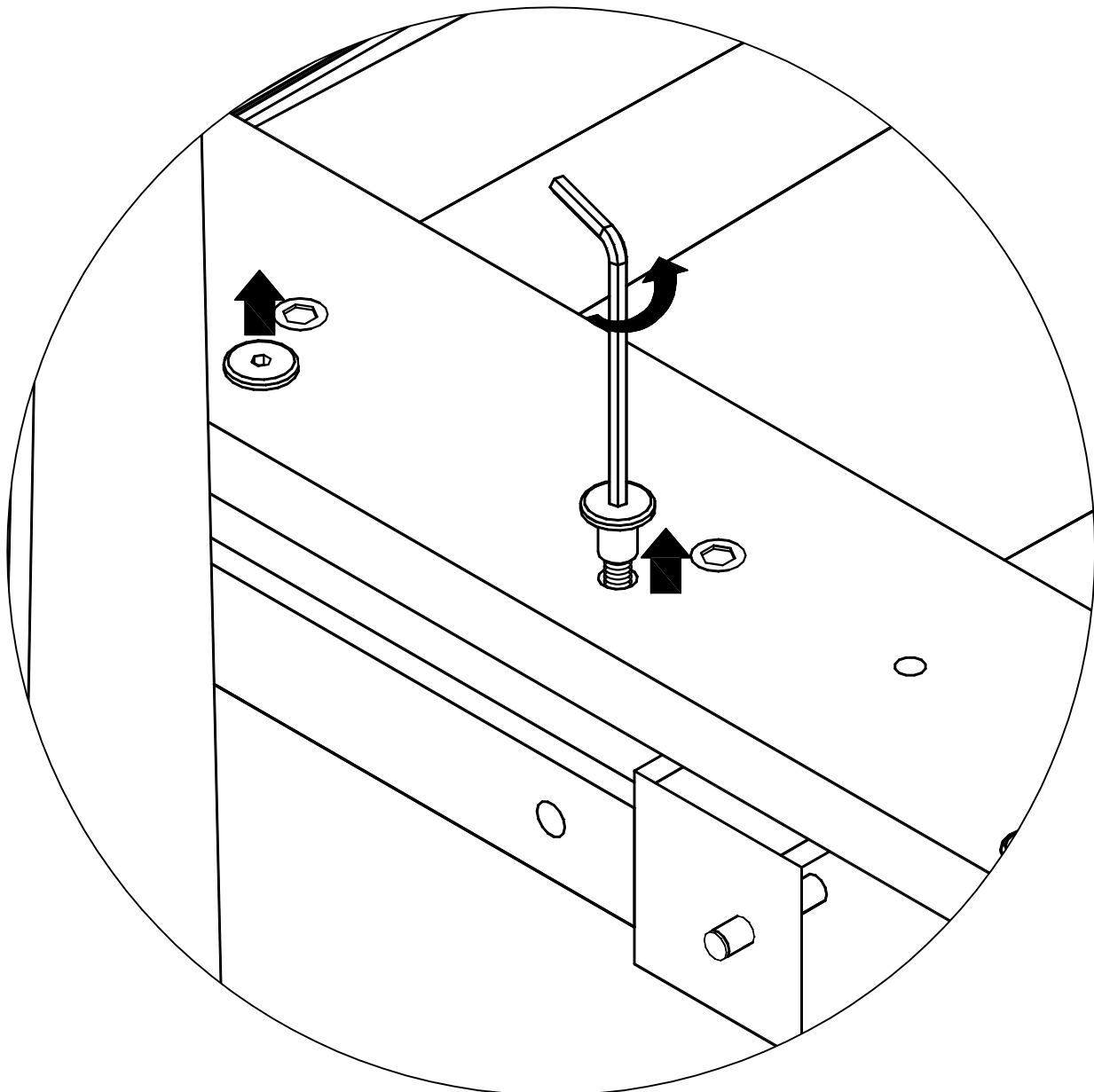
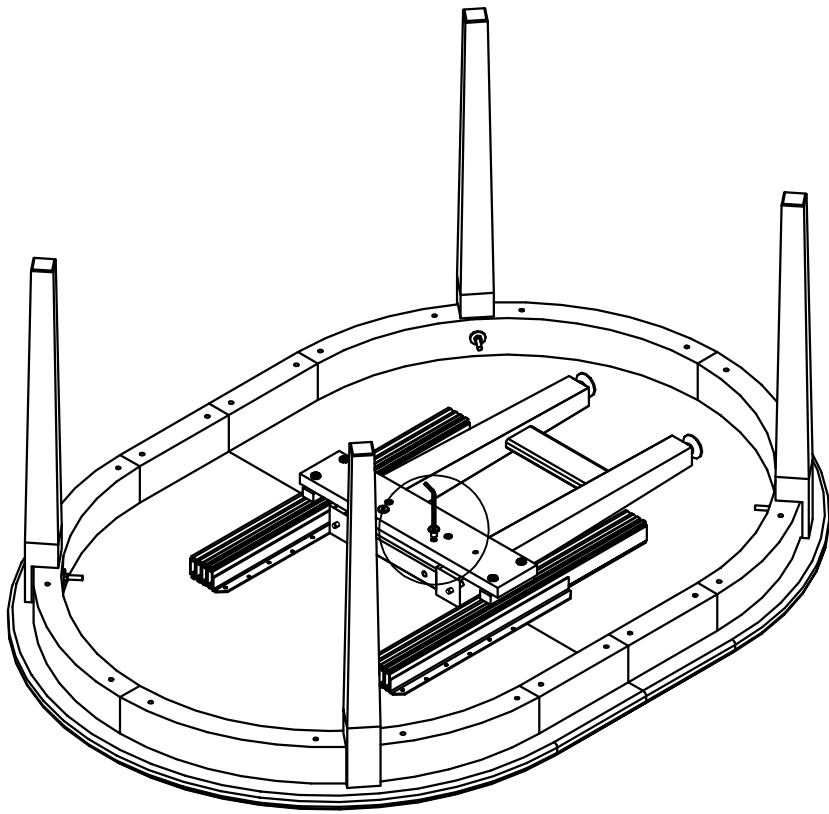
x4

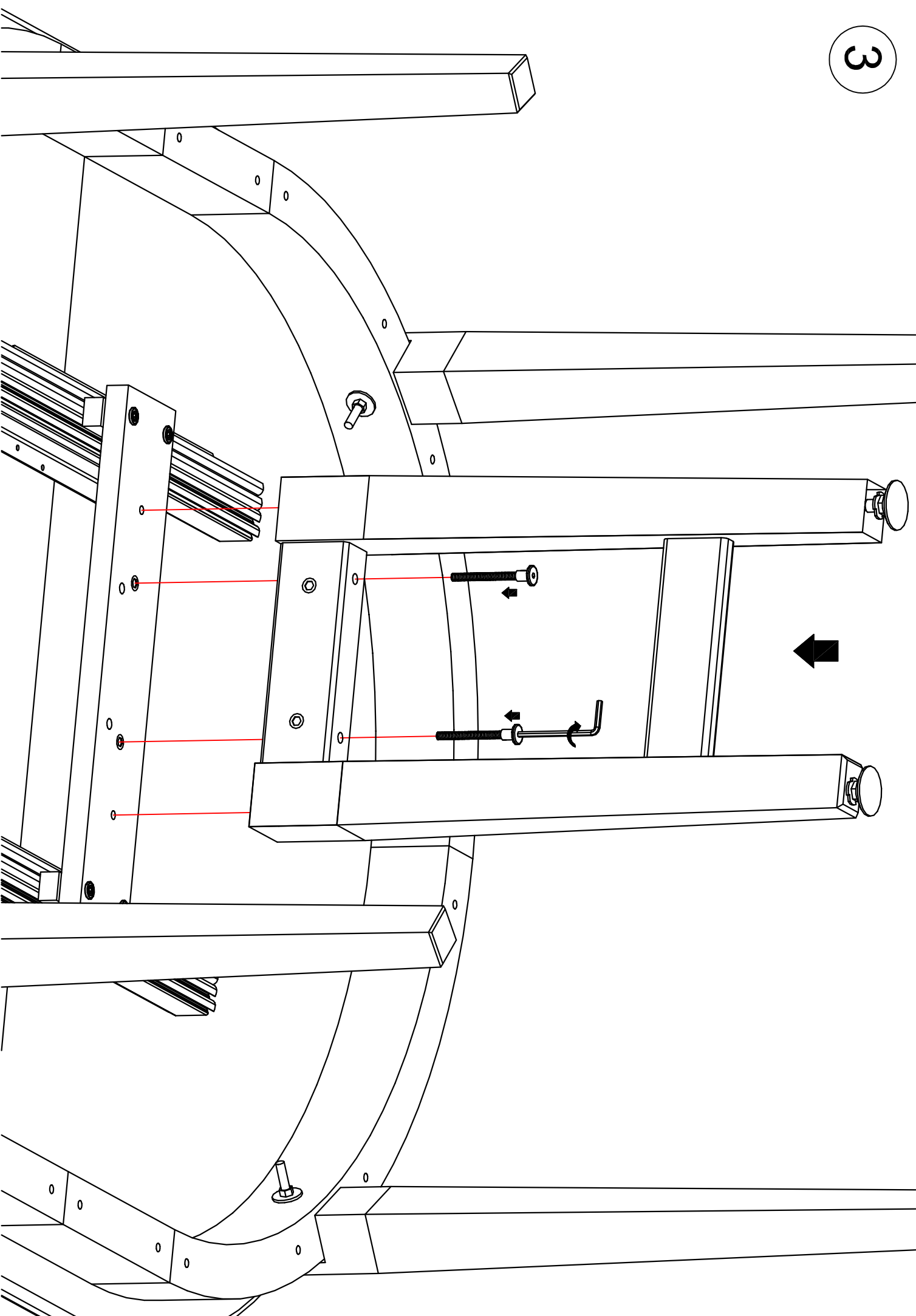


1



2





4

